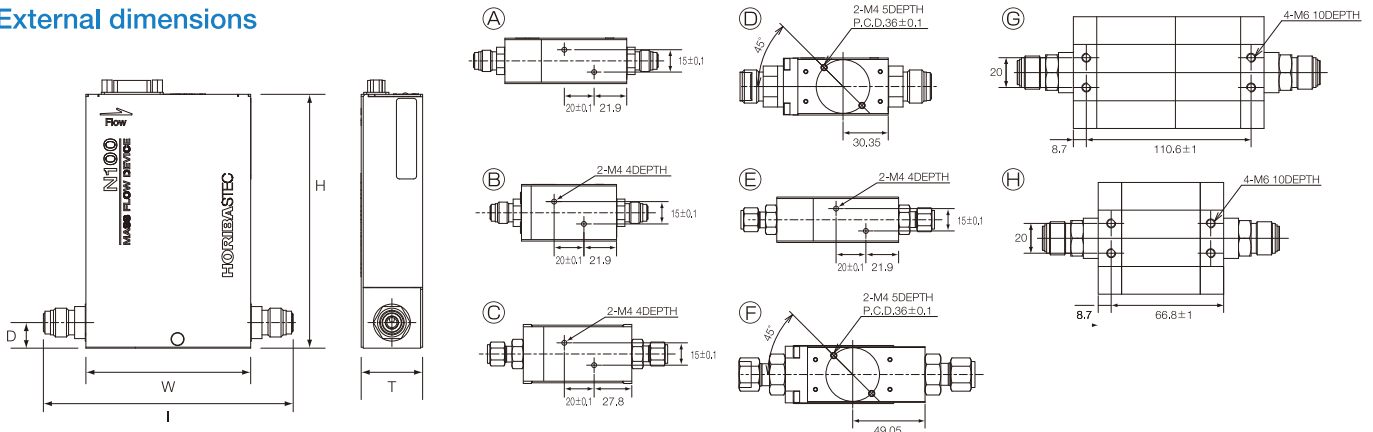


External dimensions



model	H	T	W	I					D	position of fastened screws	
				1/4" VCR type	1/4" SWL type	1/2" VCR type	3/8" SWL type	1/2"SWL type			
SEC(F)-N112	126±1	30.5±0.5	81.8	124±1(4CRL)	132	—	—	—	12.7	See above diagram ㉔	
SEC(F)-N122				—	—	—	—	—			
SEC(F)-N112W	126±1	38±0.5	63.8	106±1	127	—	—	—	12.7	See above diagram ㉔	
SEC(F)-N122W				—	—	—	—	—			
SEC(F)-N132	139±1	38.3±0.5	70.4(1/2" VCR type)	—	—	132(8CRS)	150.4(6ISJ)	—	18.5(1/2" VCR type)	See above diagram ㉔	
SEC(F)-N142			94.4(3/8" SWL type)	—	—	150.4(8CRJ)	177(8CRG)	179(6ISH)			22(3/8" SWL type)
SEC(F)-N114	126±1	30.5±0.5	81.8	124±1(4CRL)	132	—	—	—	12.7	See above diagram ㉔	
SEC(F)-N124				—	—	—	—	—			—
SEC(F)-N114W	126±1	38±0.5	63.8	106±1	127	—	—	—	12.7	See above diagram ㉔	
SEC(F)-N124W				—	—	—	—	—			—
SEC(F)-N134	150±1	38.3±0.5	70.4(1/2" VCR type)	—	—	132(8CRS)	150.4(6ISJ)	—	18.5(1/2" VCR type)	See above diagram ㉔	
SEC(F)-N144			94.4(3/8" SWL type)	—	—	150.4(8CRJ)	177(8CRG)	179(6ISH)			22(3/8" SWL type)
SEC(F)-N115	132±1	30.5±0.5	81.8	124±1(4CRL)	132	—	—	—	12.7	See above diagram ㉔	
SEC(F)-N125				—	—	—	—	—			—
SEC(F)-N135	139±1	38.3±0.5	70.4(1/2" VCR type)	—	—	132(8CRS)	150.4(6ISJ)	—	18.5(1/2" VCR type)	See above diagram ㉔	
SEC(F)-N145			94.4(3/8" SWL type)	—	—	150.4(8CRJ)	177(8CRG)	179(6ISH)			22(3/8" SWL type)
SEC(F)-N116	132±1	30.5±0.5	81.8	124±1(4CRL)	132	—	—	—	12.7	See above diagram ㉔	
SEC(F)-N126				—	—	—	—	—			—
SEC(F)-N136	139±1	38.3±0.5	70.4(1/2" VCR type)	—	—	132(8CRS)	150.4(6ISJ)	—	18.5(1/2" VCR type)	See above diagram ㉔	
SEC(F)-N146			94.4(3/8" SWL type)	—	—	150.4(8CRJ)	177(8CRG)	179(6ISH)			22(3/8" SWL type)
SEC(F)-N117	132±1	30.5±0.5	81.8	124±1(4CRL)	—	—	—	—	12.7	See above diagram ㉔	
SEC(F)-N127				—	—	—	—	—			—
SEC-N172R	171±1	75	128±2	—	—	203±2(8CRI)	—	209.4(8ISF)	37.5	See above diagram ㉔	
SEC-N174R				—	—	—	—	—			
SEC-N175R				177±1	—	—	—	—			—
SEC-N176R				—	—	—	—	—			—
SEC-N177R	180±1	75	128±2	—	—	203±2(8CRI)	—	209.4(8ISF)	37.5	See above diagram ㉔	
SEF-N172R	171±1	75	84±2	—	—	159±2(8CRP)	—	165.6(8ISC)	37.5	See above diagram ㉔	
SEF-N174R				—	—	—	—	—			
SEF-N175R				177±1	—	—	—	—			—
SEF-N176R				—	—	—	—	—			—
SEF-N177R	180±1	75	84±2	—	—	159±2(8CRP)	—	165.6(8ISC)	37.5	See above diagram ㉔	

(Unit:mm)