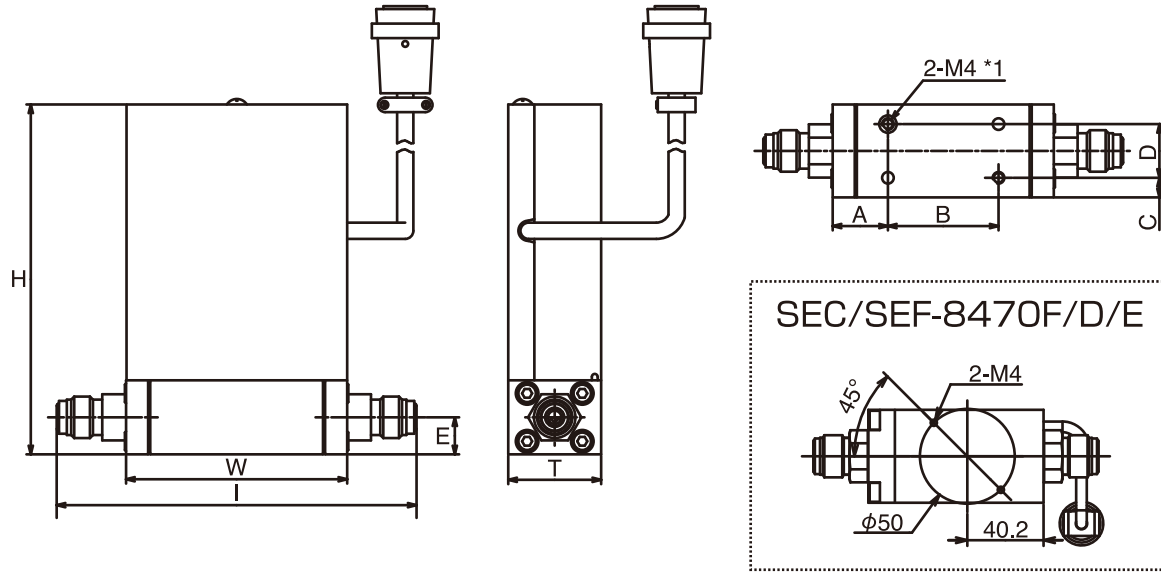


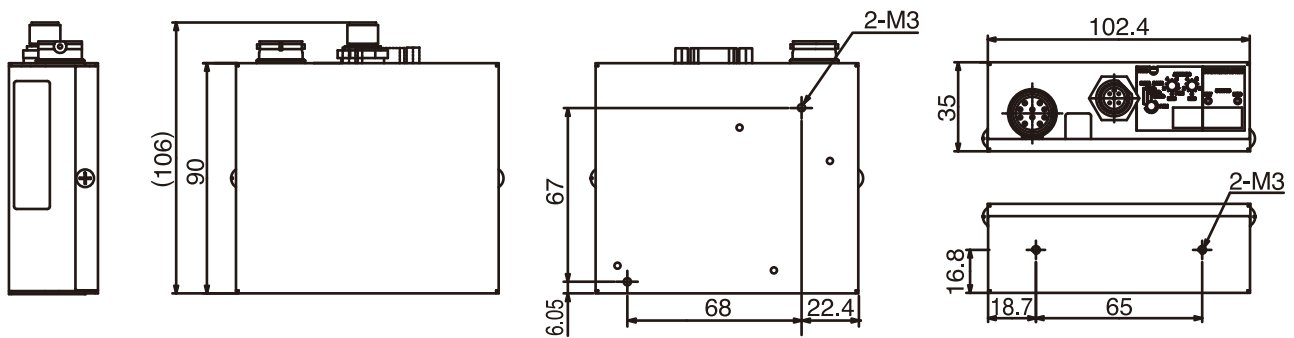
SEC/SEF-8000F/D/E (Sensor unit)



*1 SEC/SEF-8460F/D/E : 4-M8

Model	H	T	W	I (1/4" VCR)	I (1/4" Swagelok)	I (3/8" VCR)	I (3/8" Swagelok)	I (1/2" VCR)	A	B	C	D	E
SEC/SEF-8440F/D/E	120.5	32	76	124	127	—	—	—	19	38.1	6.75	18.5	12.7
SEC/SEF-8450F/D/E	127	32	108	156	159	—	—	—	20.2	67.7	3.7	24.6	14.6 inner; 12 outer
SEC/SEF-8455F/D/E	150	50	108	156	159	160	163	—	20.1	67.7	12.7	24.6	14.6 inner; 12 outer
SEC/SEF-8460F/D/E	150	80	125	172	172	177	179	—	37.5	50	15	50	20
SEC/SEF-8470F/D/E	132.8	49	92.4	—	—	—	—	150.4	See the drawing.			22	

8000CB (Amp unit) (DeviceNet™ communication model
Please contact HORIBA Digital/Analog communication model
EtherCAT® communication model)



Unit: mm