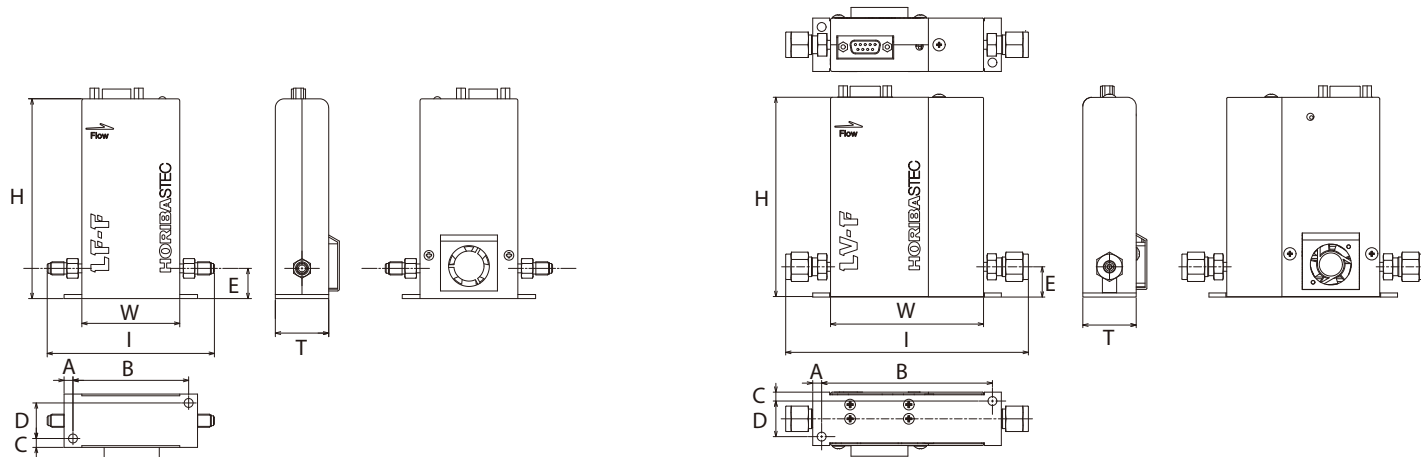


Dimensions of Digital Liquid Mass Flow Controller / Meter LF-F / LV-F Series



Model	H	T	W	I	I	I	I	I	I	A	B	C	D	E
				1/4inch VCR	1/4inch Swagelok	1/8inch VCR	1/8inch Swagelok	1/16inch Swagelok	1/16inch Special					
LF-F20M-A	112	30	55	106	105	94	99	87	89	5	65	5	20	17
LF-F30M-A	112	30	55	106	105	94	99	87	89	5	65	5	20	17
LF-F40M-A	112	30	55	106	105	94	99	87	89	5	65	5	20	17
LF-F50M-A	112	30	55	106	105	94	99	87	89	5	65	5	20	17
LF-F60M-A	112	30	55	106	105	94	99	87	89	5	65	5	20	17
LV-F20(PO/MO)	112	30	86	137	136	125	130	118	120	5	96	5	20	17
LV-F30(PO/MO)	112	30	86	137	136	125	130	118	120	5	96	5	20	17
LV-F40(PO/MO)	112	30	86	137	136	125	130	118	120	5	96	5	20	17
LV-F50(PO/MO)	112	30	86	137	136	125	130	118	120	5	96	5	20	17
LV-F60(PO/MO)	112	30	86	137	136	125	130	118	120	5	96	5	20	17

Please request other external dimension drawings from HORIBA STEC.
* Equivalent joints are sometimes used instead of the ones listed.

Unit: mm